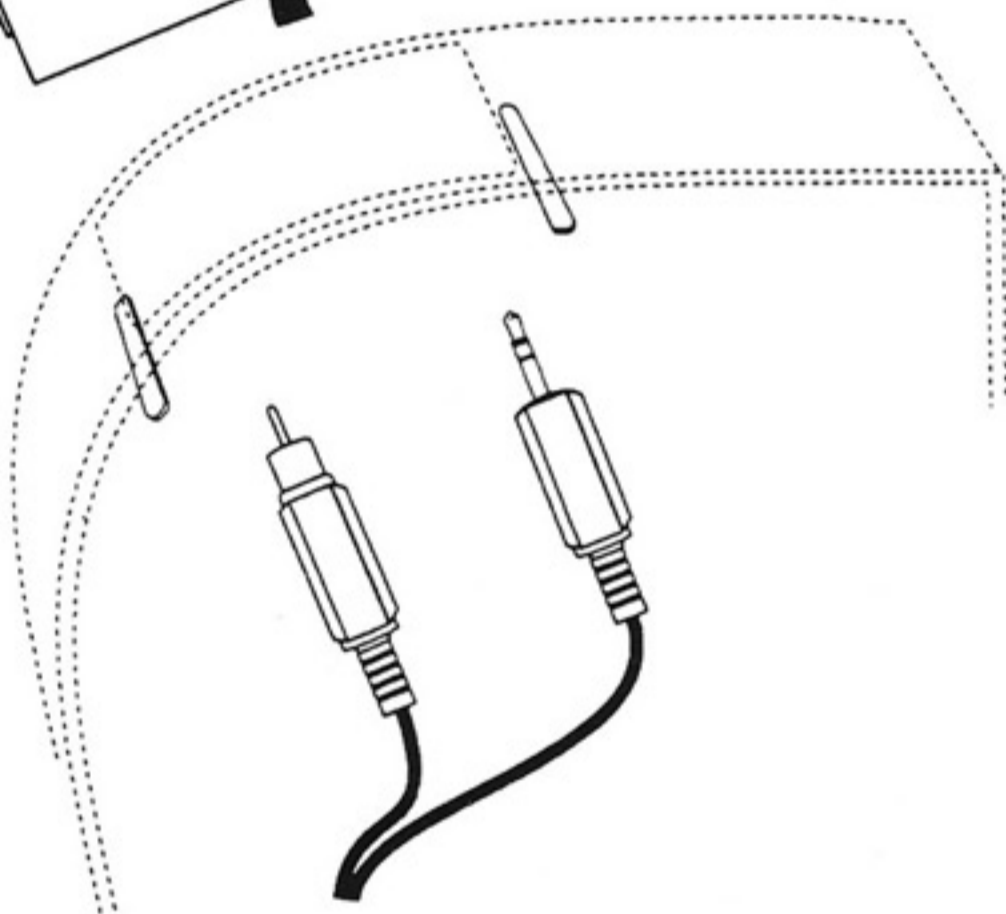
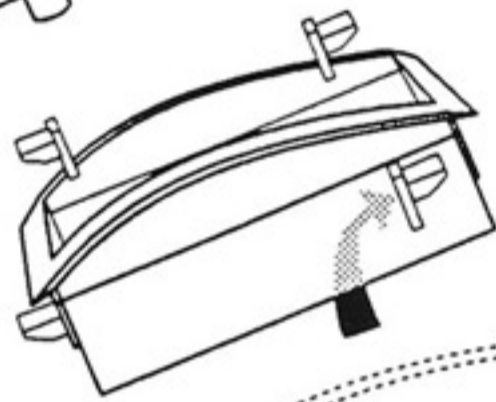
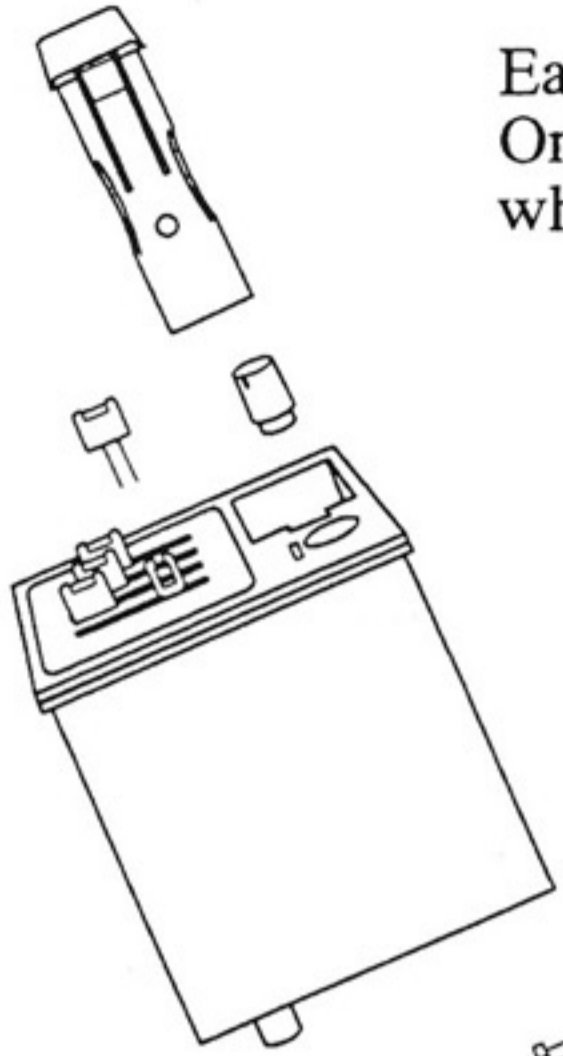
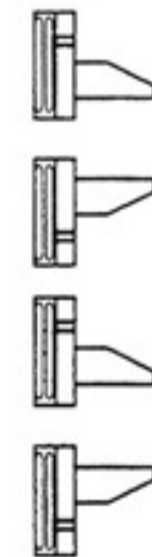
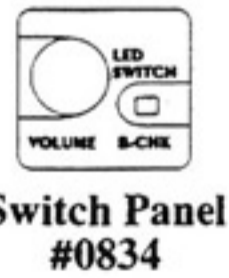
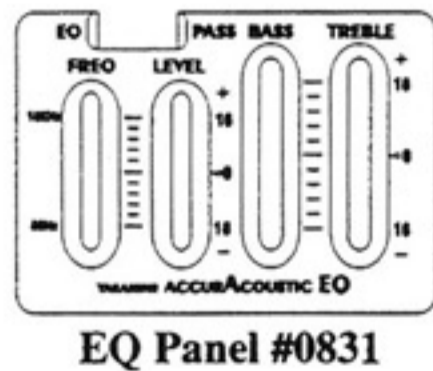
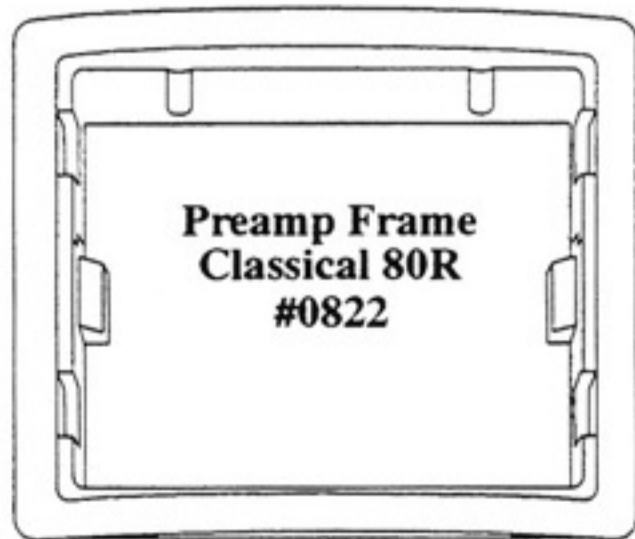


Each preamp is supplied with bezels and knobs as one unit.
One complete preamp assembly includes the following elements,
which must be ordered separately:



- Preamp Unit.....
- Battery Case.....#0820 or #0838
- Frame.....#0821 or 0822
- Frame Anchor.....#0823 (x 4 pieces)
- Cushion.....#0824 (x 2 pieces)

A Preamp



The following internal electronic parts are available:

Volume Pot.....#0840

Slide Pot:

Bass (Accura.).....#0841

Bass (Gr.-Ex).....#0842

Middle (Gr.-Ex).....#0843

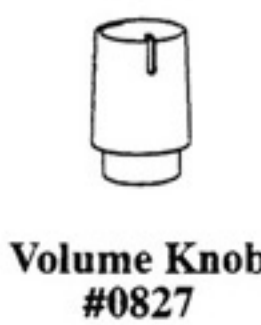
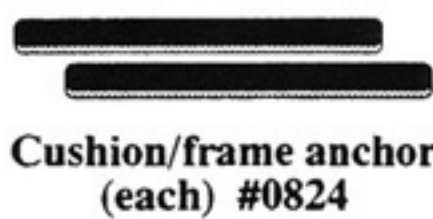
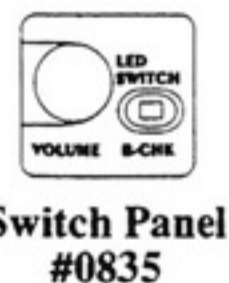
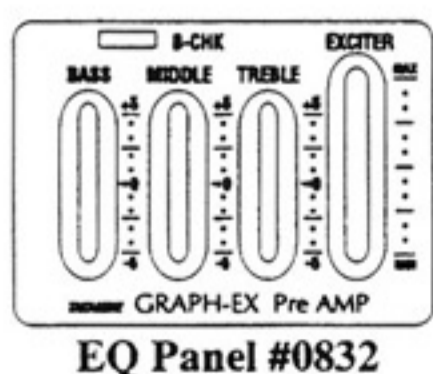
Treble (Accura.).....#0844

Treble (Gr.-Ex).....#0845

Frequency.....#0846

Level.....#0847

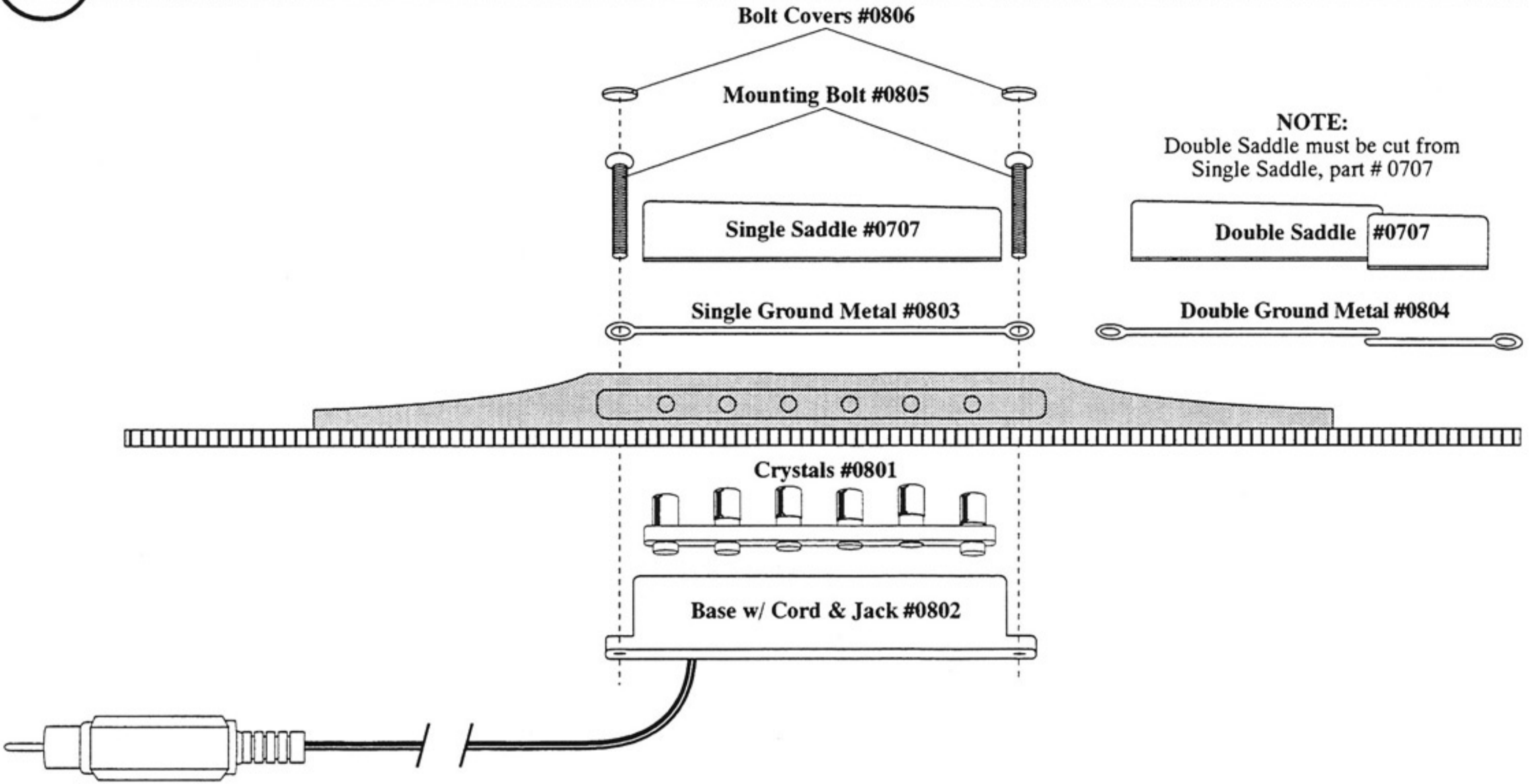
Exciter.....#0848



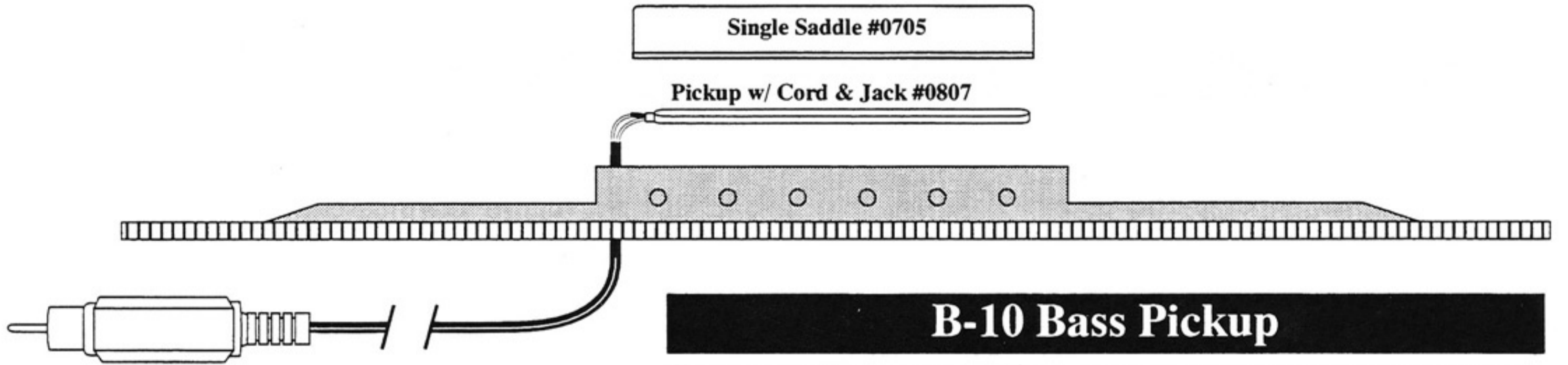
Takamine Pickups are unique systems. Please follow the diagram carefully. One complete Steel String pickup assembly includes the following elements, which must be ordered separately:

- Crystals.....#0801
- Base w/ Cord & Jack.....#0802
- Ground Metal..... #0803 or 0804
- Mounting Bolt.....#0805 (x 2 pieces)
- Bolt Covers.....#0806 (x 2 pieces)
- Saddle.....#0707

B Palathetic Steel String Pickup



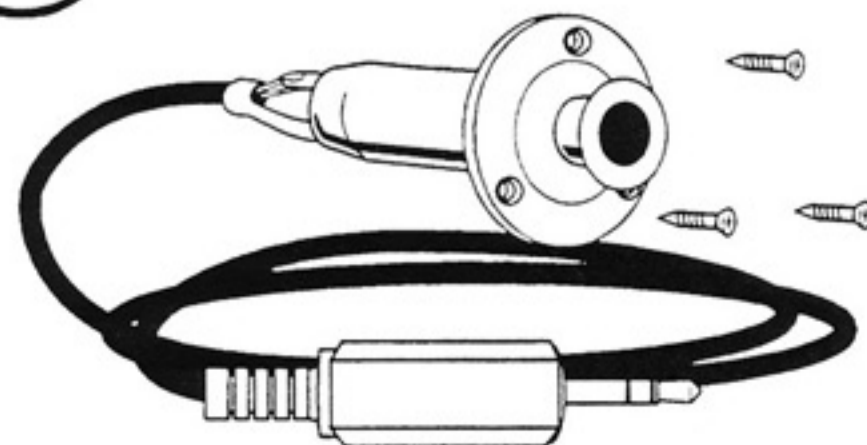
Nylon String Pickup



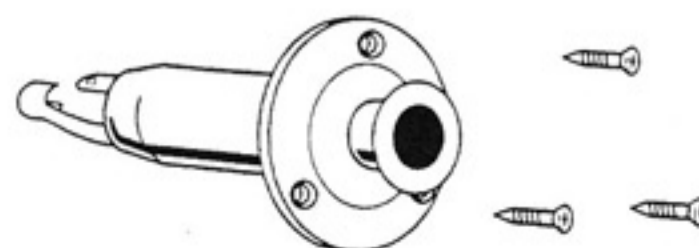
B-10 Bass Pickup

The pickup for Model B-10 Bass is a traditional under-saddle piezo pickup with cord & jack, part #0810

C End Pin Jack



End Pin Jack Assembly w/ Cord & Screws #0808



End Pin Jack w/ Mounting Screws #0809



End Pin Jack Mounting Screw (each)
Order part by #0808-M